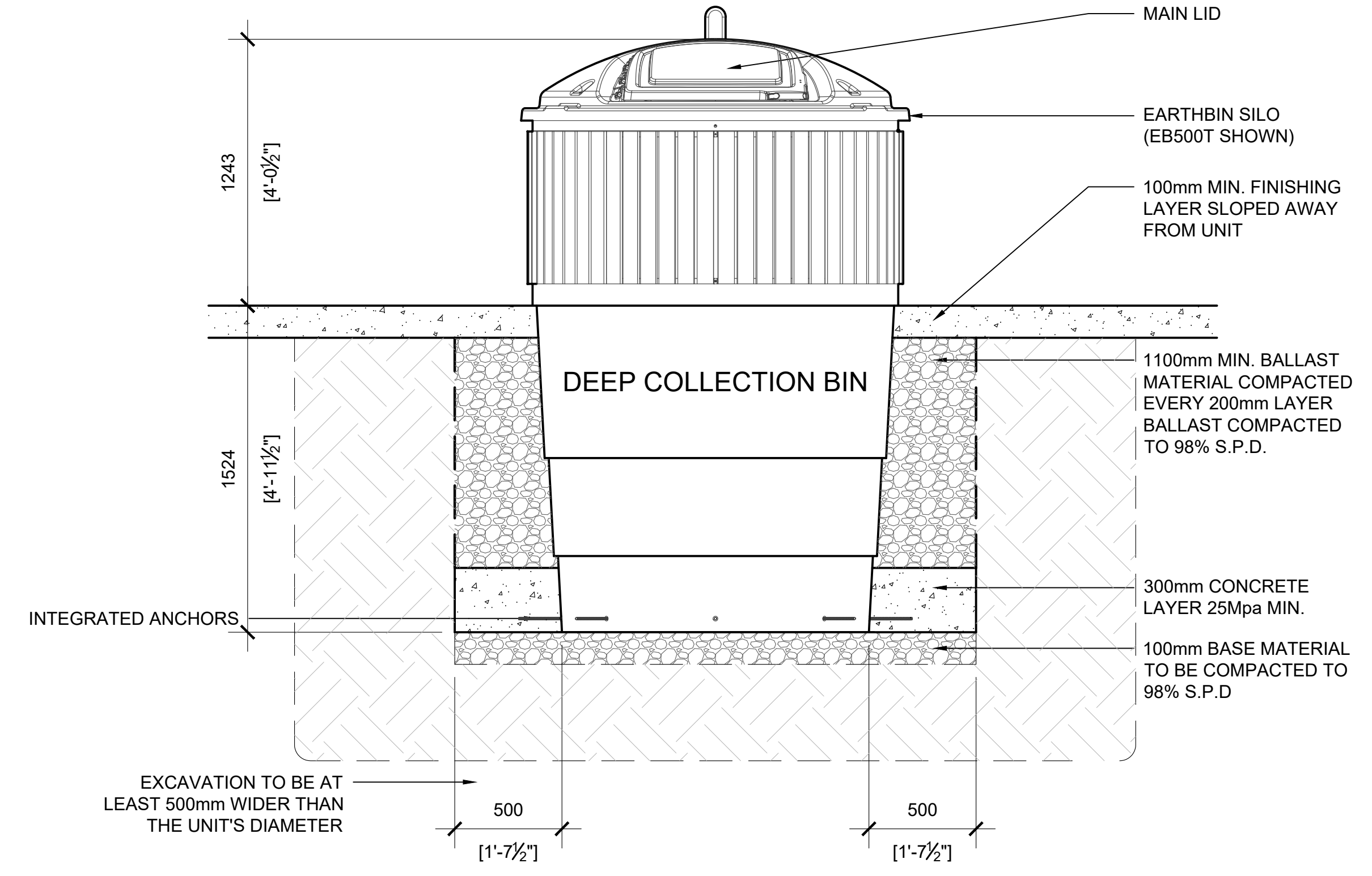
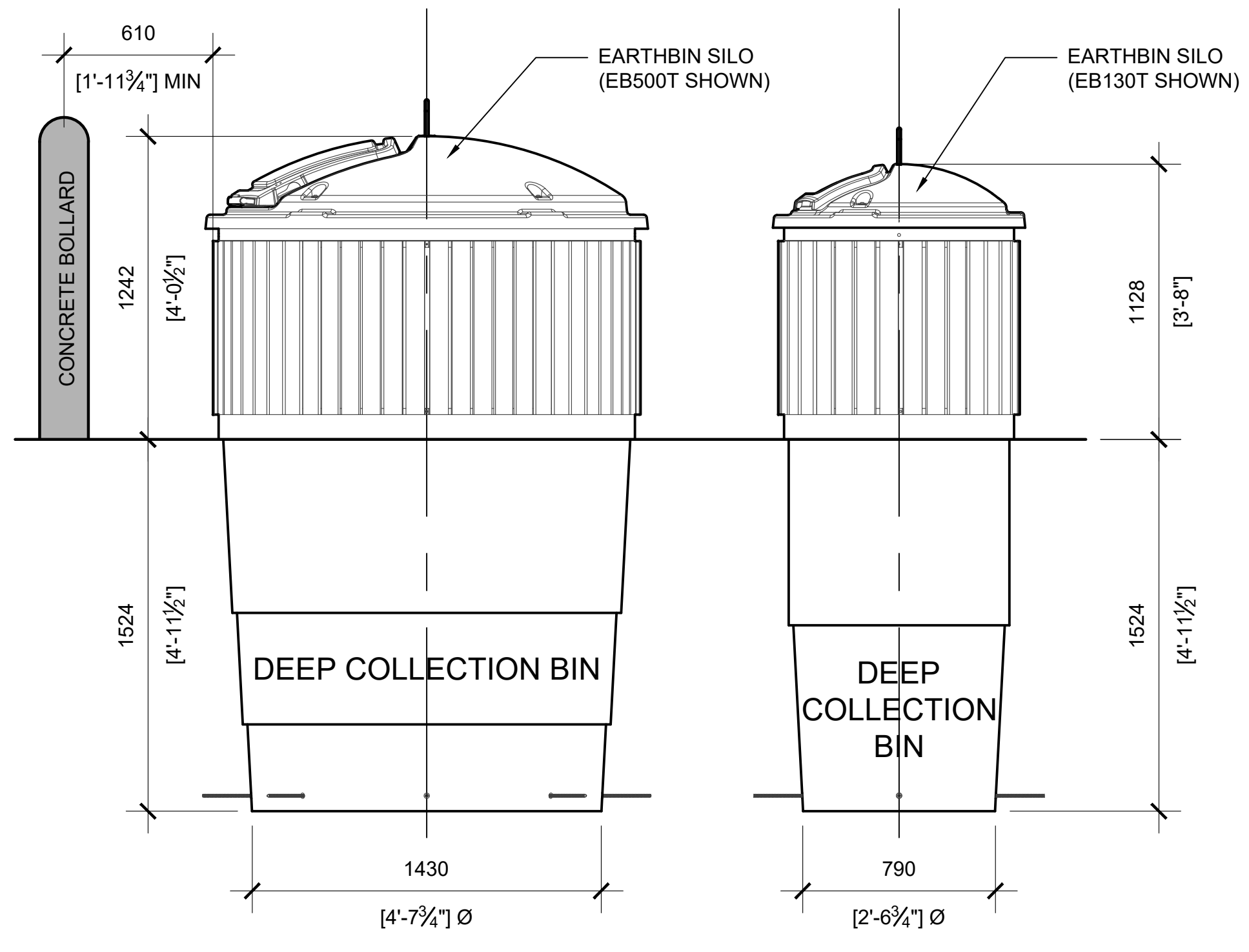


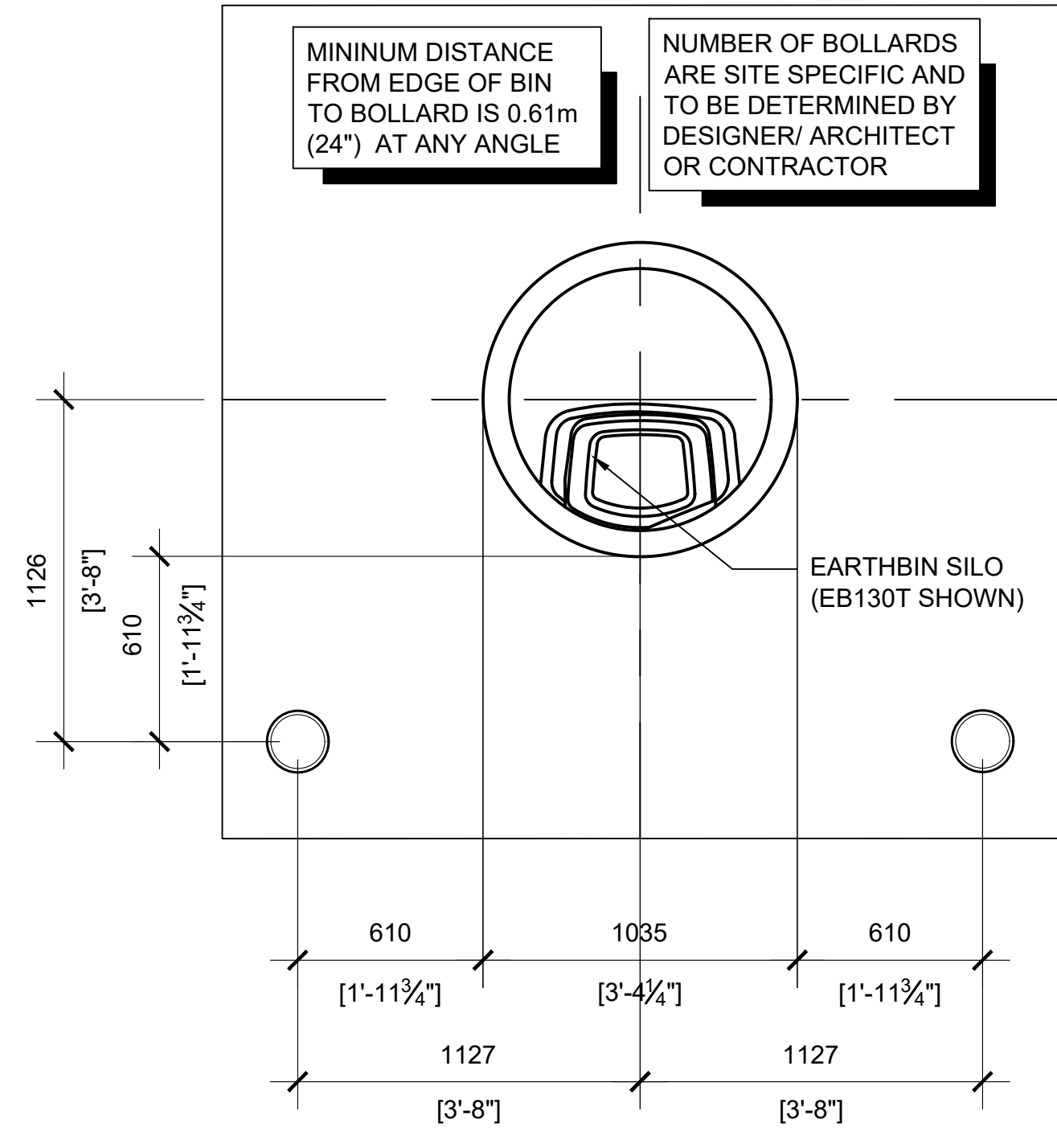
1 TYPICAL PLAN VIEW W/O BOLLARDS
A1 1:20



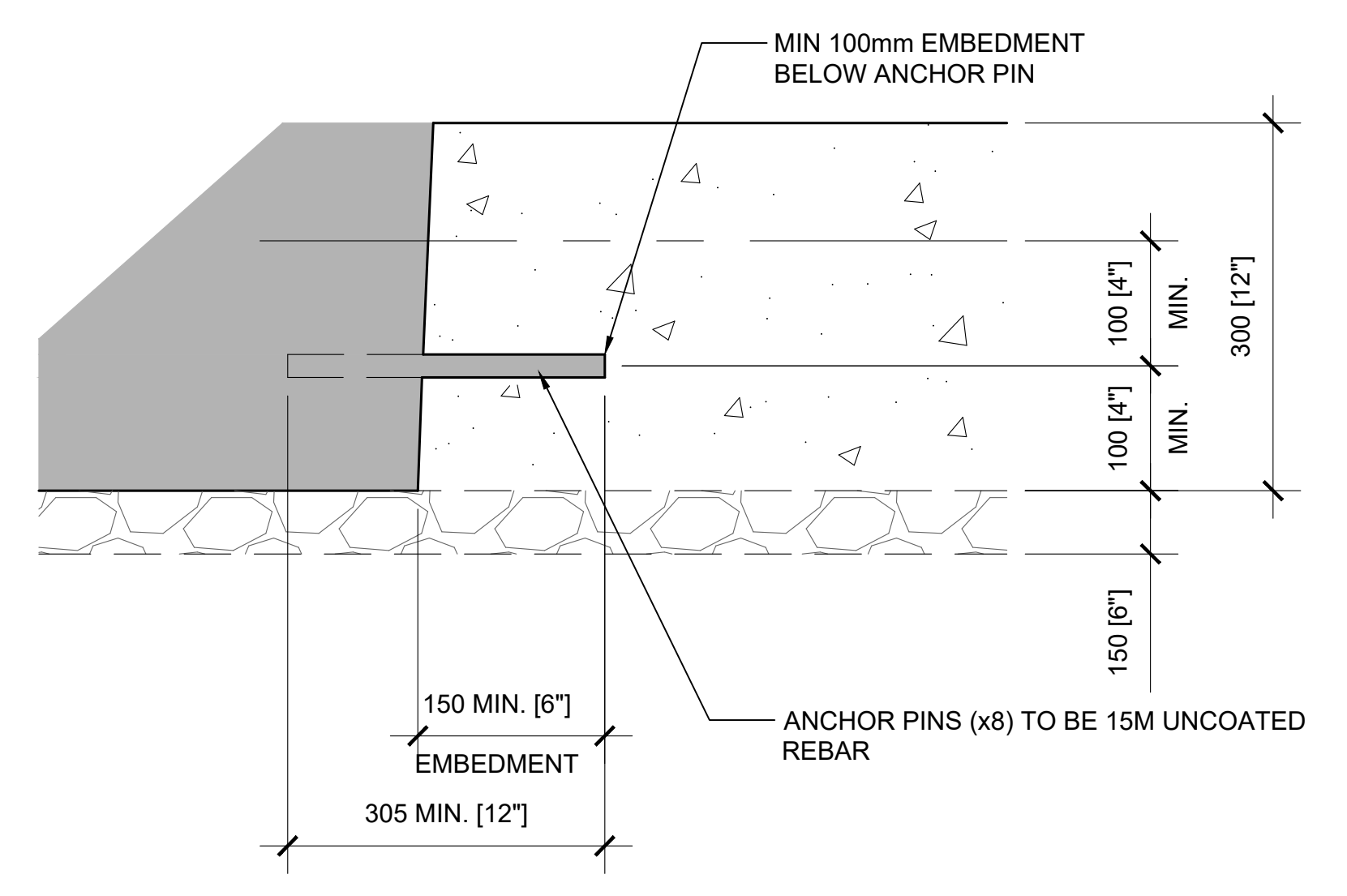
2 TYPICAL CROSS SECTION
A1 1:20



3 ELEVATION VIEW OF BINS
A1 1:20



4 OPTIONAL BOLLARD PLACEMENT
A1 1:20



5 ANCHOR DETAIL
A1 1:5

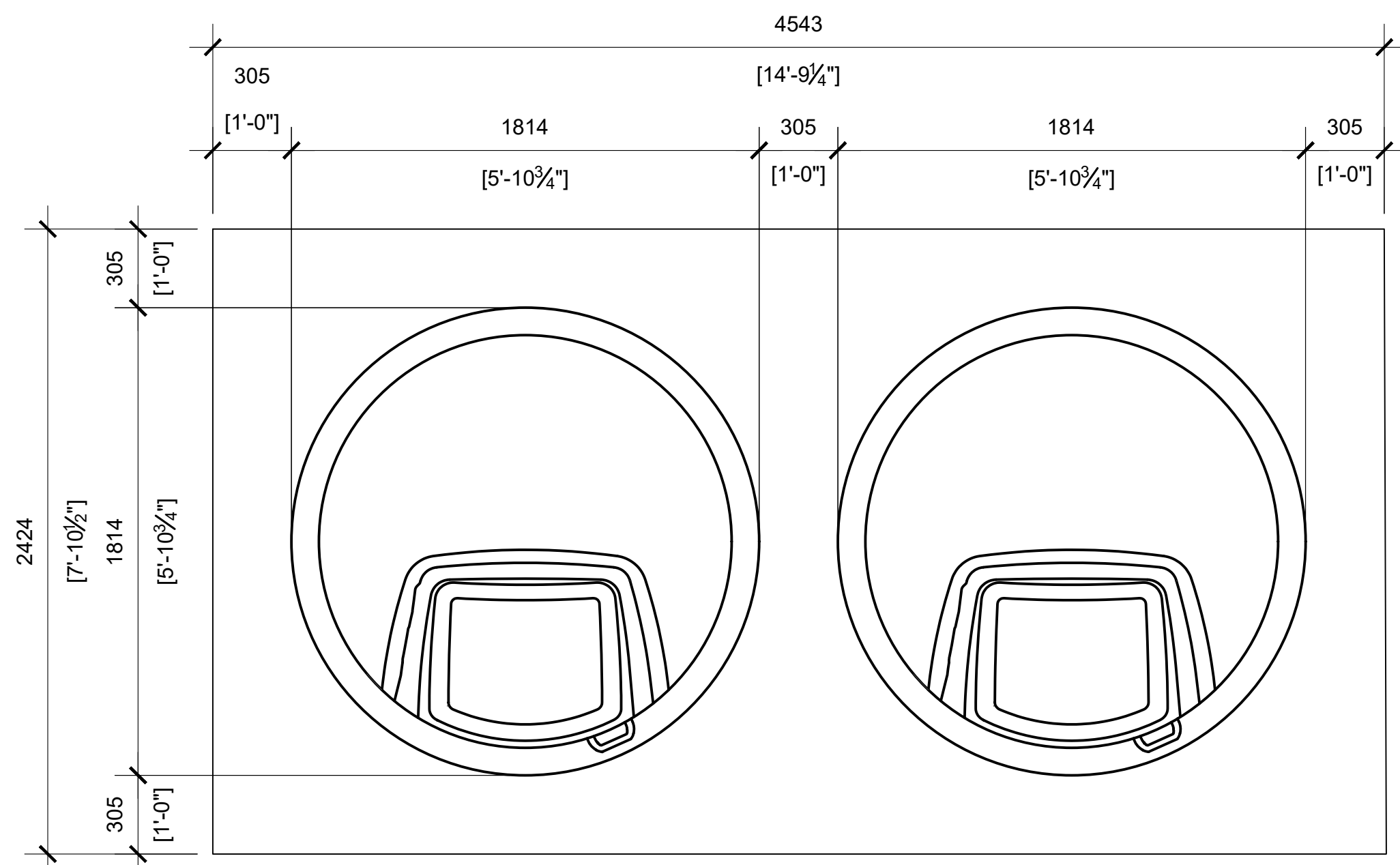
CHECK WITH MUNICIPALITIES FOR REQUIREMENTS REGARDING BINS BEING PLACED ON A CONCRETE ISLAND OR TO HAVE A CONCRETE CURB POUR AROUND THE PAD.

1. ISSUED FOR CLIENT REVIEW ON 2021/01/12

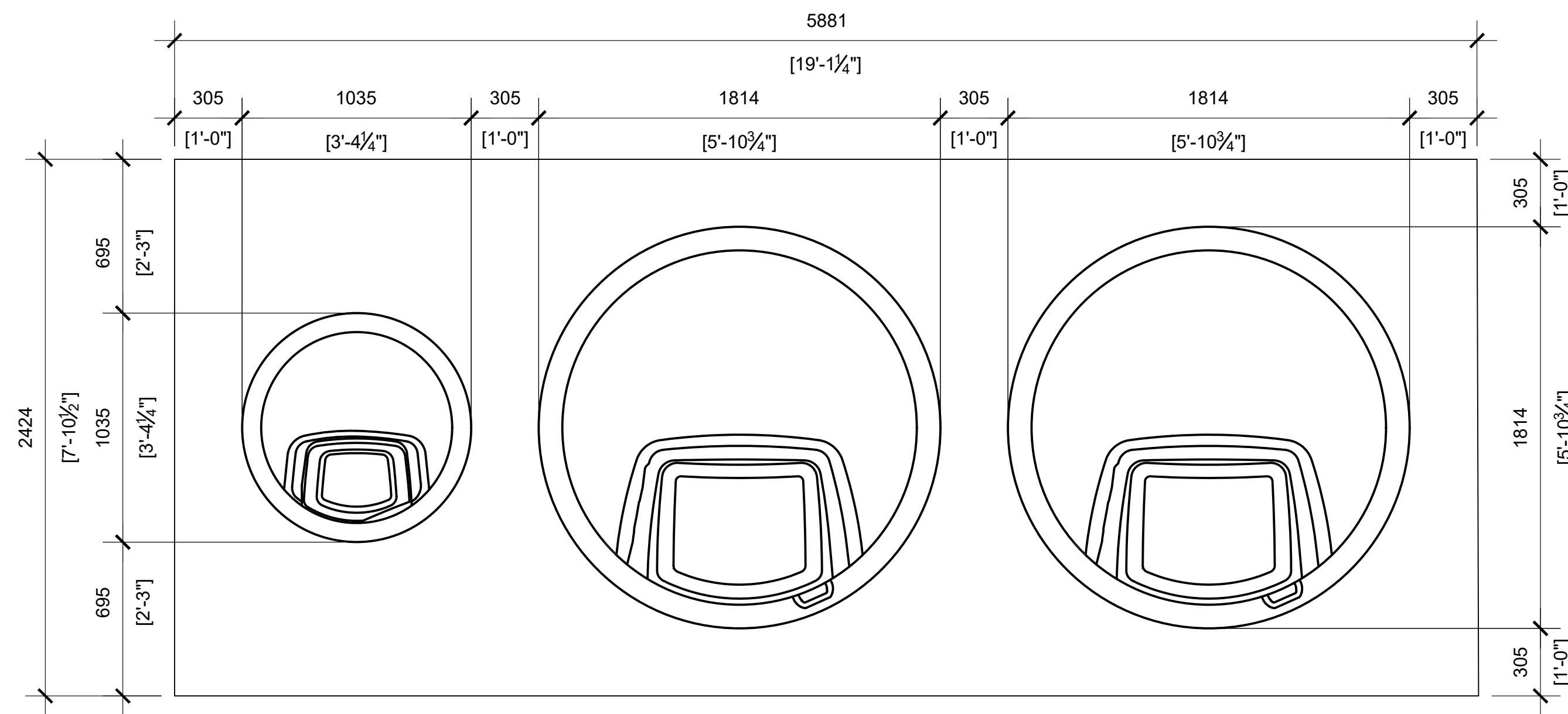
- This drawing is published by Earthbin Products and is copyrighted drawing and design and shall not be used or reproduced without the expressed written permission of Earthbin Products
 - The contractor shall check and verify all dimensions and report all errors or omissions to the designer prior to commencing the work
 - These drawings are not to be scaled
 - Drawings are to be read in conjunction with the installation guide
 - All drawings are drawn in metric scale unless noted otherwise
 - All work to conform to the current building codes
 - The designer's liability is limited to the correction of the working drawings only

SCALE: AS NOTED
 DESIGN BY: EARTHBIN PRODUCTS
 DRAWN BY: STUDIO WOLF DESIGNS

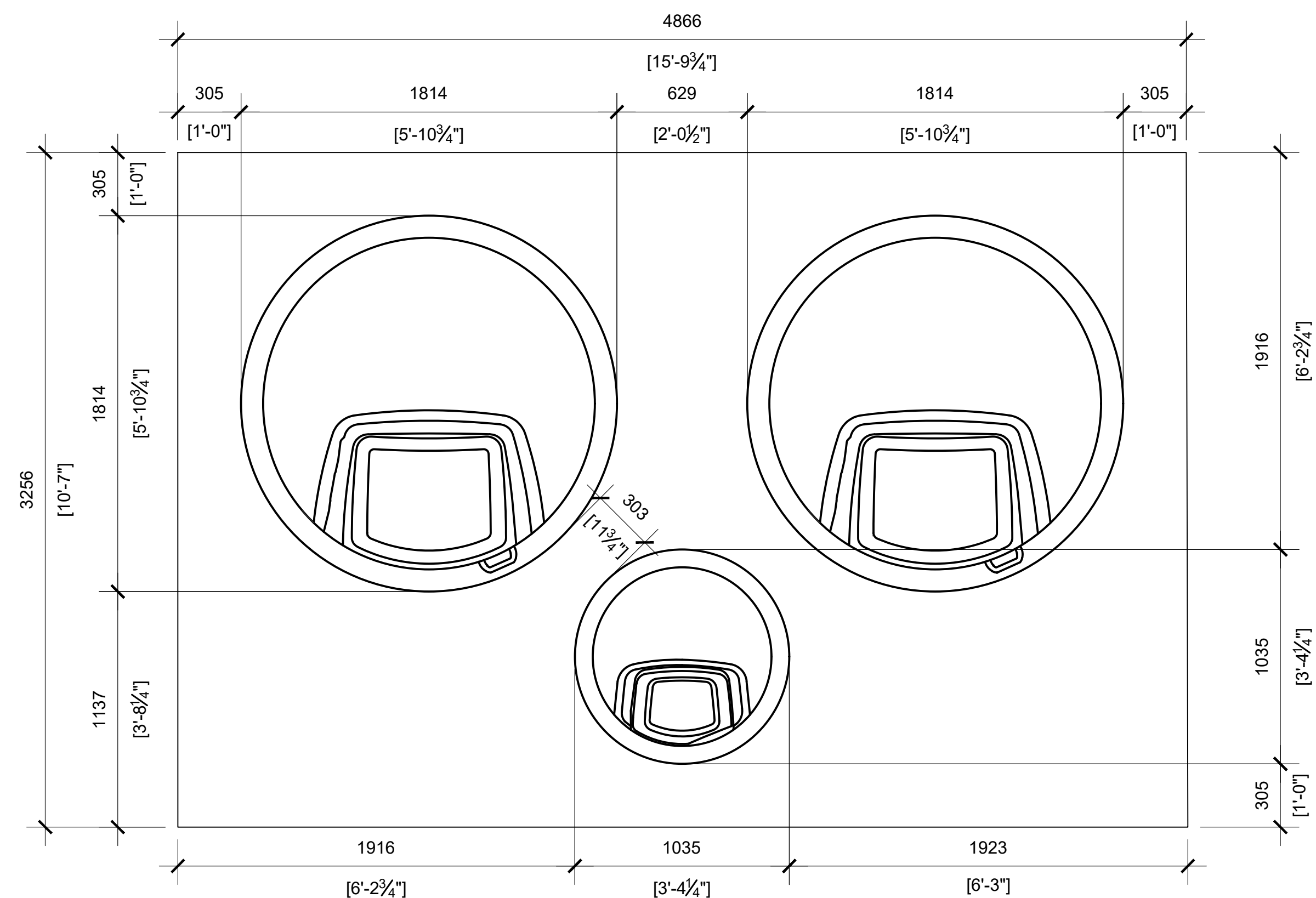
EARTHBIN SILO™
 INSTALLATION DWGS.



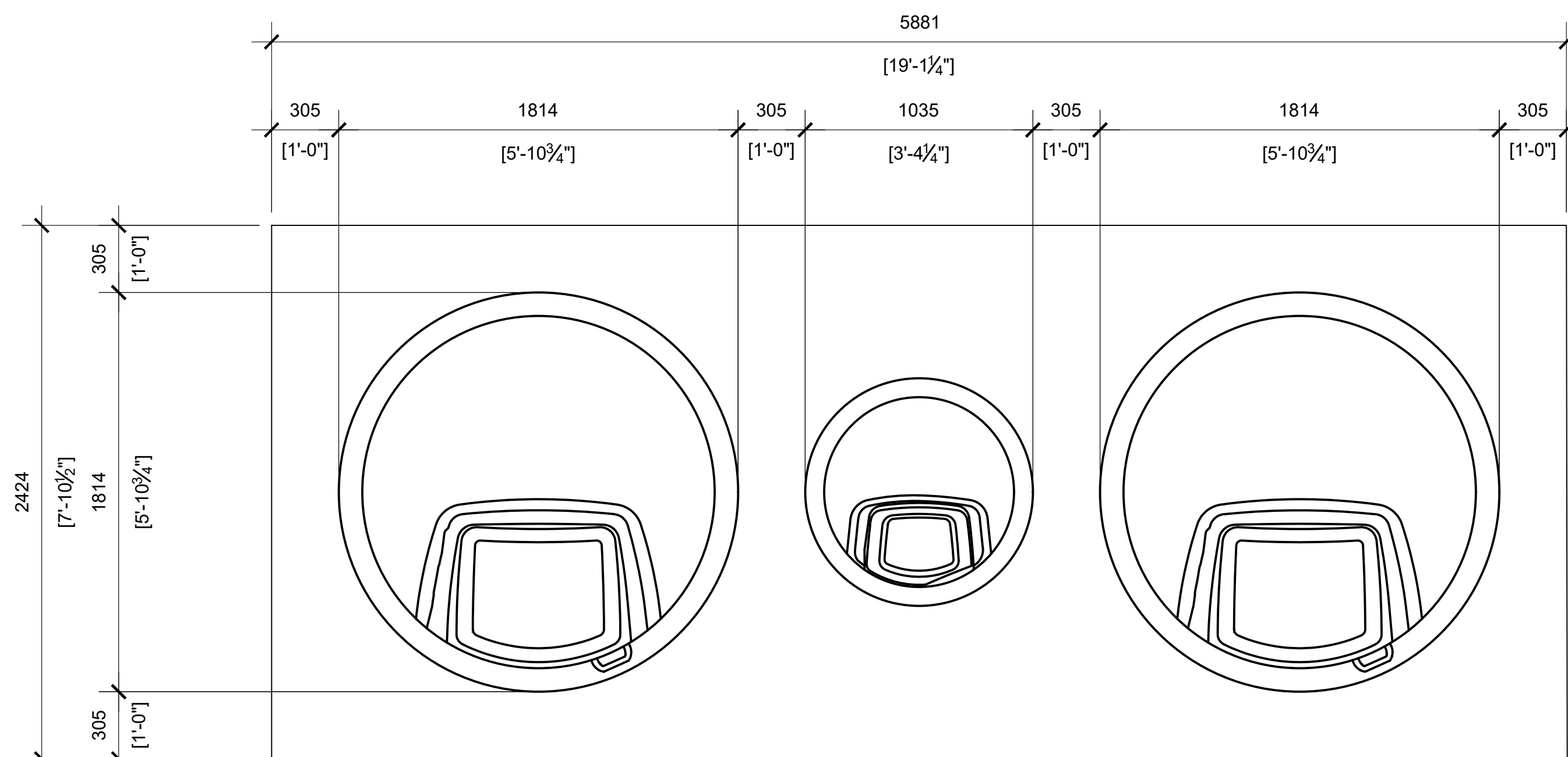
1 STANDARD TWO BIN CONFIGURATION
A2 1:20



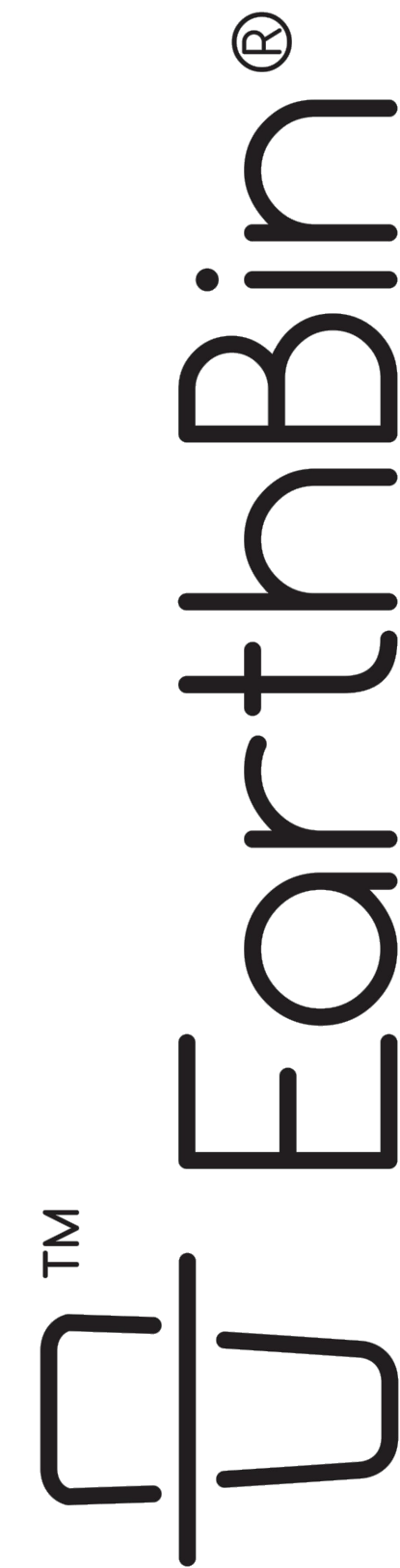
5 THREE BIN CONFIGURATION
A2 1:20



2 THREE BIN CONFIGURATION
A2 1:20



4 THREE BIN CONFIGURATION
A2 1:20



1. ISSUED FOR CLIENT REVIEW ON 2021/01/12

- This drawing is published by Earthbin Products and is copyrighted drawing and design and shall not be used or reproduced without the expressed written permission of Earthbin Products
 - The contractor shall check and verify all dimensions and report all errors or omissions to the designer prior to commencing the work
 - These drawings are not to be scaled
 - Drawings are to be read in conjunction with the installation guide
 - All drawings are drawn in metric scale unless noted otherwise
 - All work to conform to the current building codes
 - The designer's liability is limited to the correction of the working drawings only

SCALE: AS NOTED

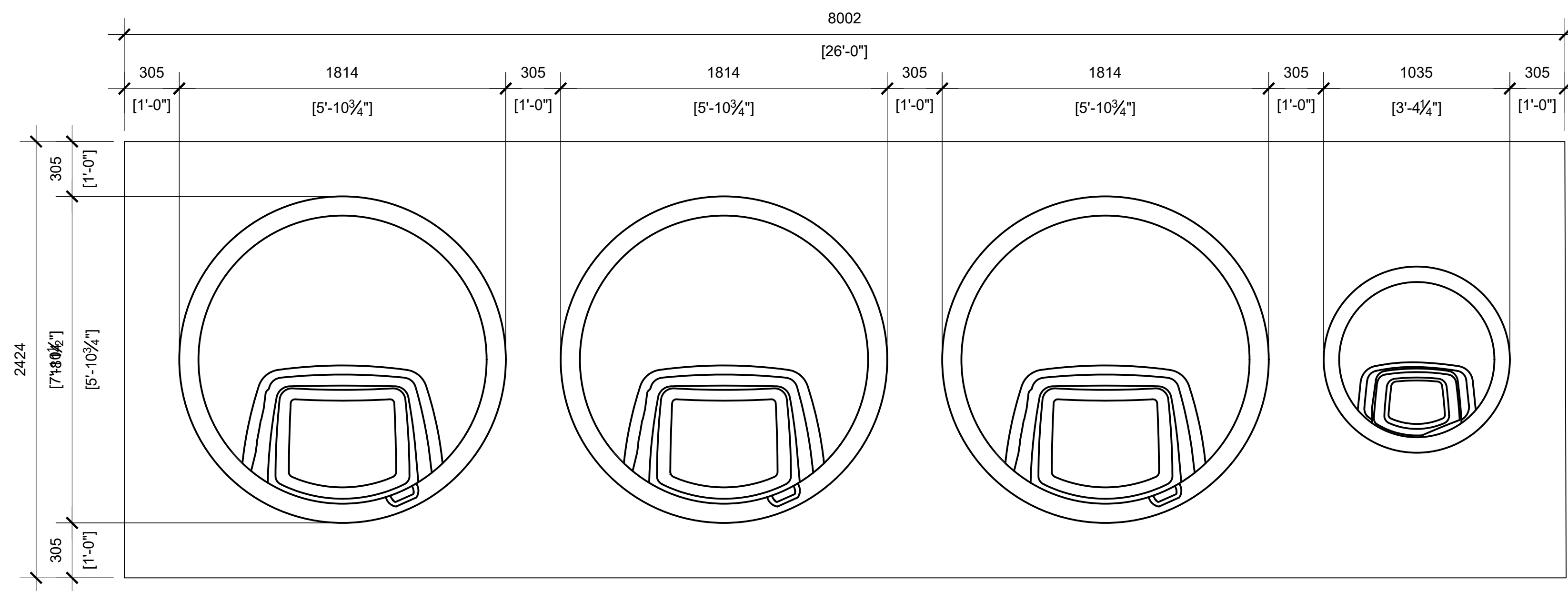
DESIGN BY: EARTHBIN PRODUCTS

DRAWN BY: STUDIO WOLF DESIGNS

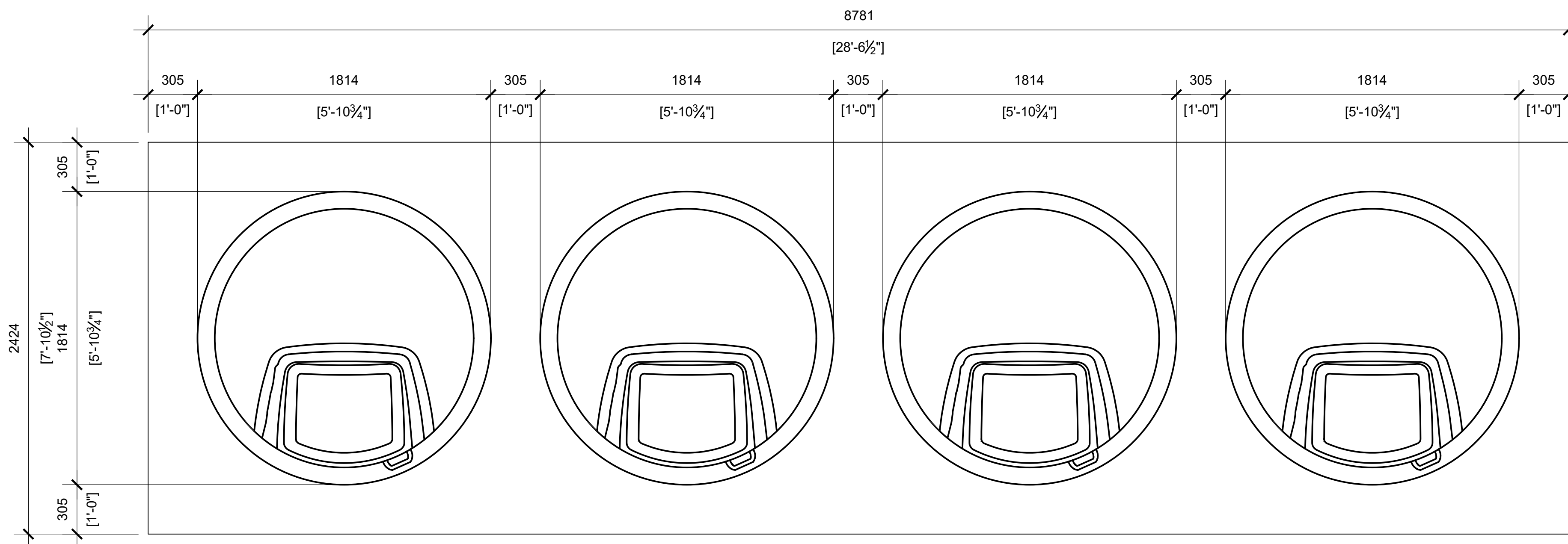
EARTHBIN SILO™ TYPICAL BIN CONFIGURATIONS

REVISION#0

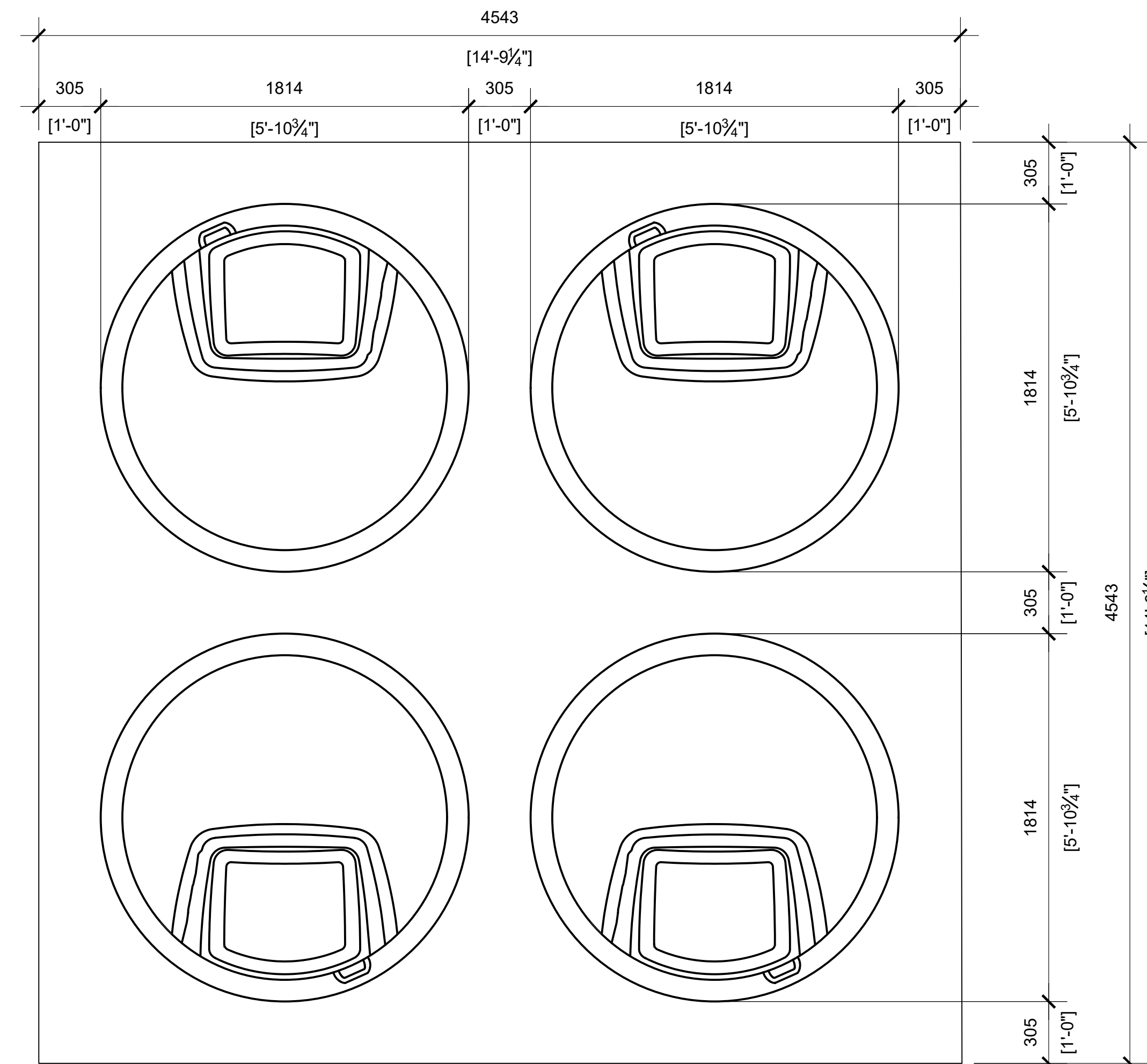
A2



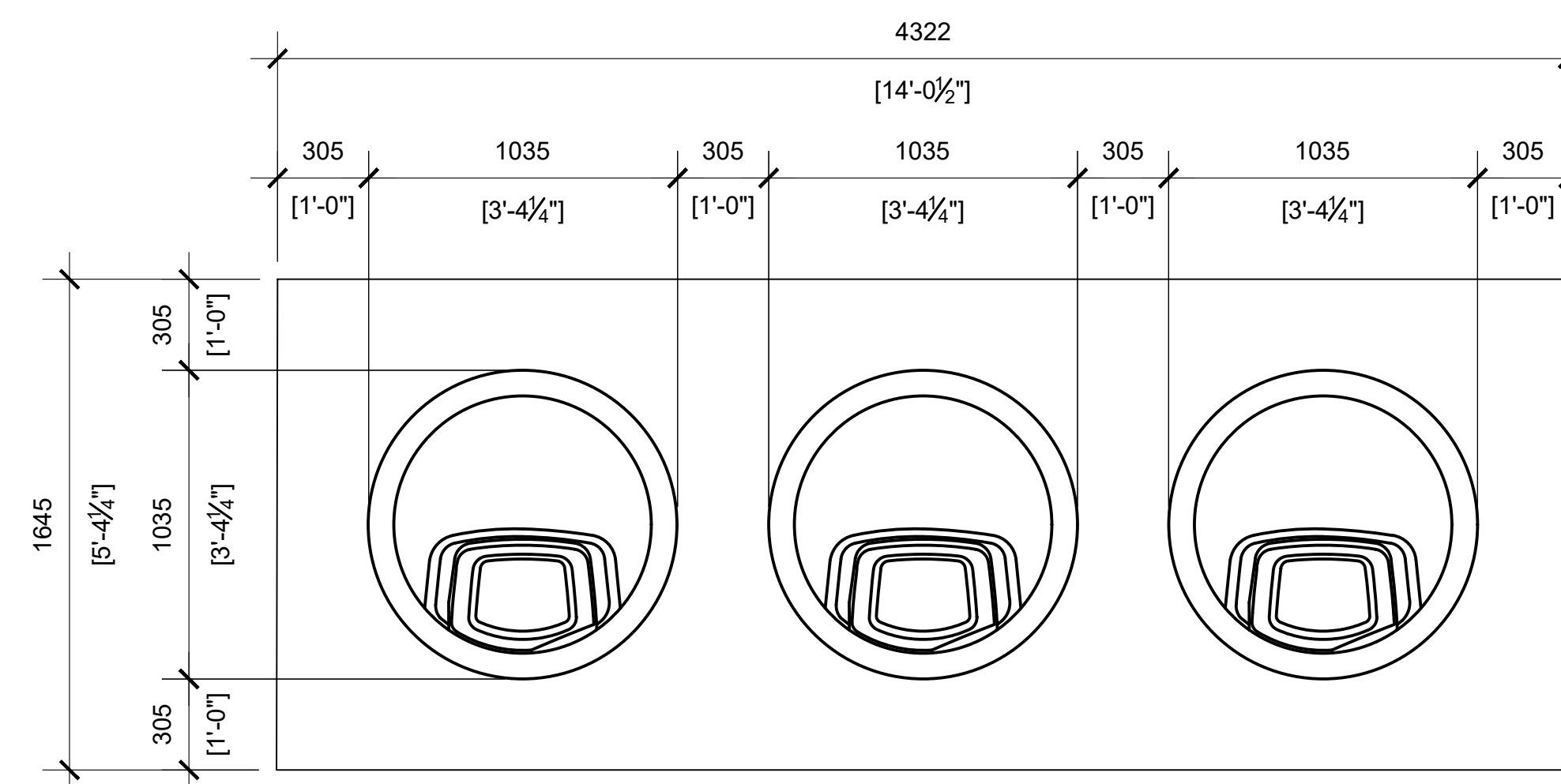
1 FOUR BIN CONFIGURATION
A3 1:20



2 FOUR BIN CONFIGURATION
A3 1:20



3 2X2 FOUR BIN CONFIGURATION
A3 1:20



4 THREE BIN CONFIGURATION
A3 1:20

1. ISSUED FOR CLIENT REVIEW ON 2021/01/12

- This drawing is published by Earthbin Products and is copyrighted drawing and design and shall not be used or reproduced without the expressed written permission of Earthbin Products
 - The contractor shall check and verify all dimensions and report all errors or omissions to the designer prior to commencing the work
 - These drawings are not to be scaled
 - Drawings are to be read in conjunction with the installation guide
 - All drawings are drawn in metric scale unless noted otherwise
 - All work to conform to the current building codes
 - The designer's liability is limited to the correction of the working drawings only

SCALE: AS NOTED
 DESIGN BY: EARTHBIN PRODUCTS
 DRAWN BY: STUDIO WOLF DESIGNS

EARTHBIN SILO™ TYPICAL BIN CONFIGURATIONS

REVISION#0

A3